



**MANUAL – INSTALLATION + SERVICE**

---

# Full Round 360° Duct Hung Displacement Diffuser

DR360-DH Series

Revision #: 01 – Issue Date: 03/25/14

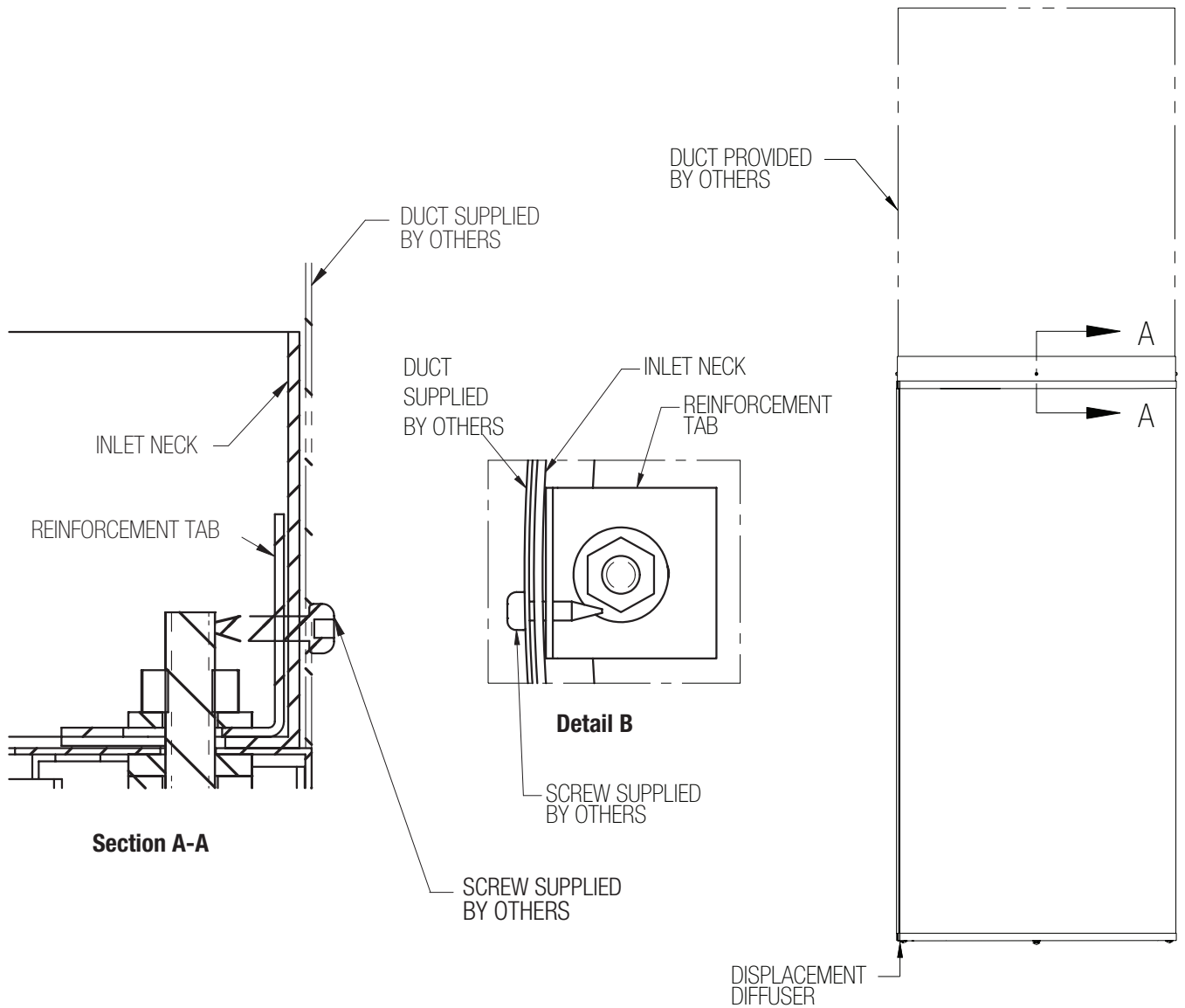
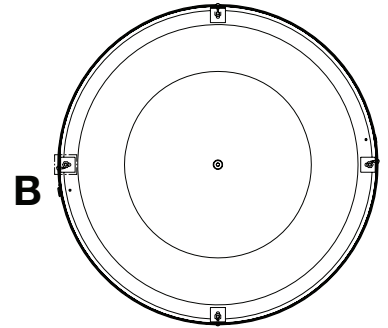
© 2014 Price Industries Limited. All rights reserved.

**PRICE**<sup>®</sup>

# FULL ROUND 360° DUCT HUNG DISPLACEMENT DIFFUSER

## INSTALLATION INSTRUCTIONS

1. Locate and mark location of tabs that are fastened directly to the support rods.
2. Locate diffuser onto end of duct section.
3. Secure duct onto diffuser with self drilling screws or drill pilot hole using regular sheetmetal screws (supplied by others) at each of the tabs previously located in step 1.
4. Add at least 4 extra screws at various points around diffuser collar into duct.
5. Secure diffuser to building structure for extra support (by others) as required by local code.





---

This document contains the most current product information as of this printing.  
For the most up-to-date product information, please go to [priceindustries.com](http://priceindustries.com).

© 2014 Price Industries Limited. All rights reserved.

**PRICE**<sup>®</sup>